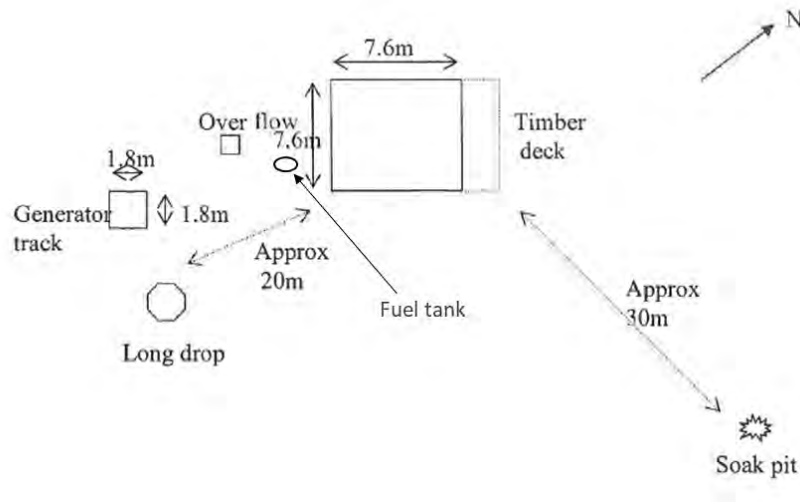


### Attachment 3b: G – Bulk fuel storage

#### Whareawatea

Whareawatea has an exterior fuel tank on the southern side of the hut, which has a capacity of 500 litres. This kerosene fuel contained in this tank is sourced from 200 litre drums. The drums are brought onto site and 200 litres are pumped into the tank when required. The tank has never been used to store greater than 250 litres. The tank position and design are provided in Figures 1 and 2.



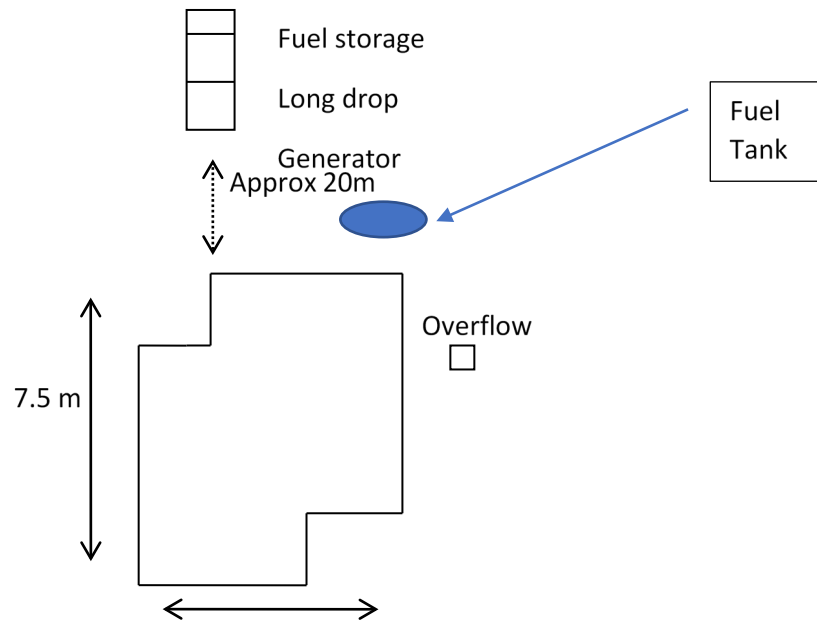
**Figure 1:** The site plan of Whareawatea, including the position of the exterior fuel tank.



**Figure 2:** The location of the fuel tank (green) on the southern side of Whareawatea in winter.

## Hukarere

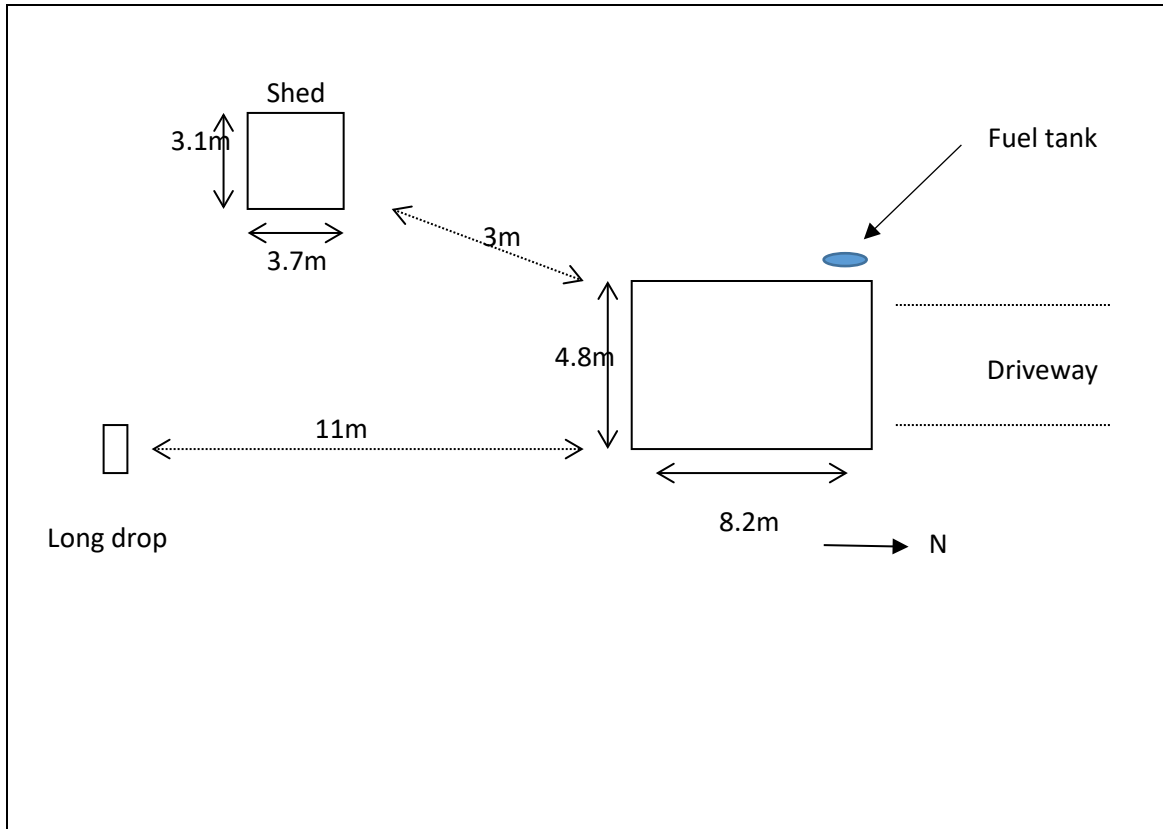
Hukarere has an exterior fuel tank on the eastern side of the hut, which has a capacity of 500 litres. This kerosene fuel contained in this tank is sourced from 200 litre drums. The drums are brought onto site and 200 litres are pumped into the tank when required. The tank has never been used to store greater than 250 litres. The tank position is provided in Figure 3.



**Figure 3:** The site plan of Hukarere, including the position of the exterior fuel tank.

## Alpenhof

Alpenhof has an exterior fuel tank located on the northwest corner of the hut with a capacity of approximately 500 litres and is easily accessible at the end of the driveway. This kerosene fuel contained in this tank is sourced from 200 litre drums. The drums are brought onto site and 200 litres are pumped into the tank when required. The tank has never been used to store greater than 250 litres. Please note that the tank design is the same as shown in Figure 2. The tank position is provided in Figure 4.



**Figure 4:** The site plan of Alpenhof, including the position of the exterior fuel tank.